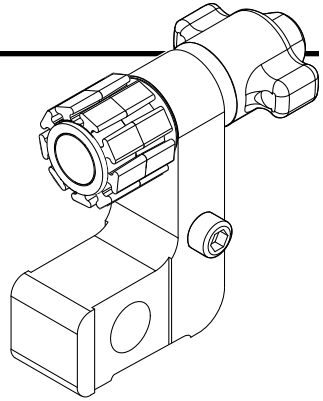


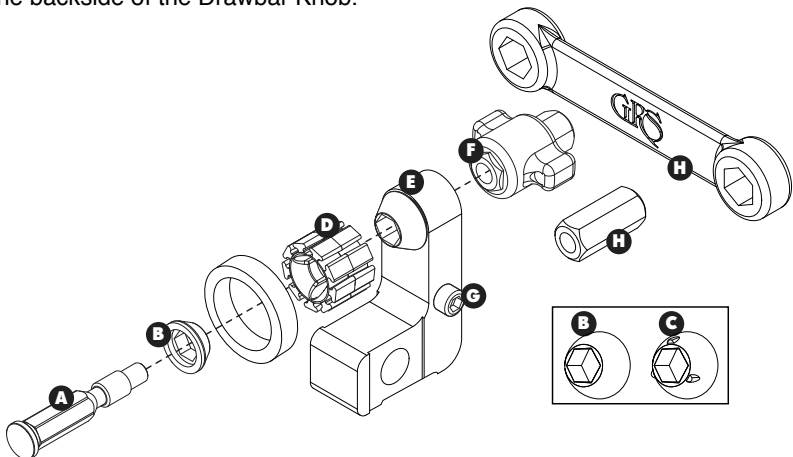
# GRS® ID Ring Holder

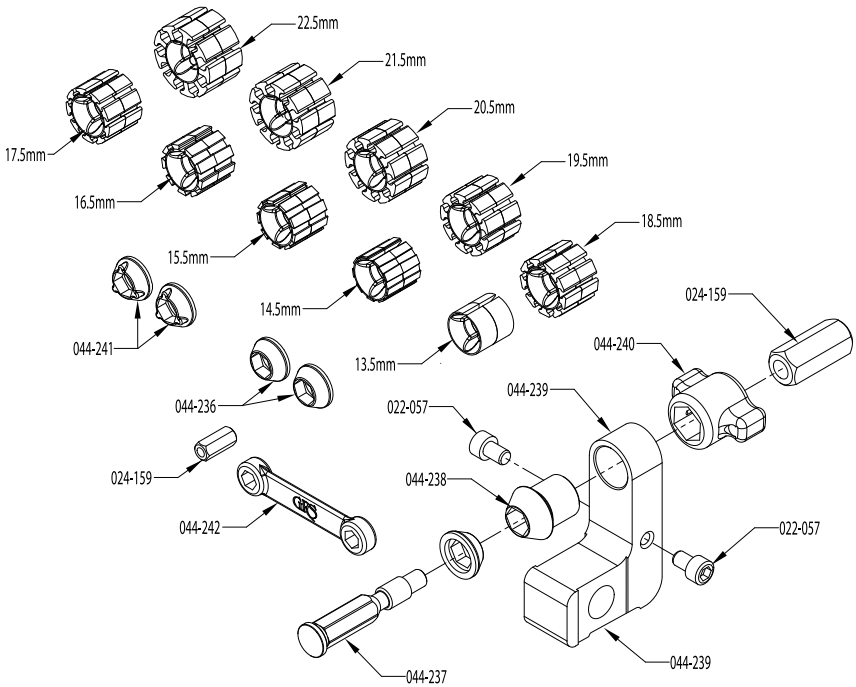
INSTRUCTIONS • #004-735

The new GRS ID Ring Holder takes ring fixtures to a new level. The Double expansion cones assure equal pressure on both sides of the mandrel as it grips the inside diameter of the ring. When using the Standard Cone (B) the ring drag can be set to allow smooth rotation of the work piece while setting stones or engraving the ring surface. The unique locking action of the Locking Cone (C) allows the user to hold the ring in position without rotation and provides a steady platform on which to raise beads or pavé set.



- A. DRAWBAR: The mandrel and cone support bar that passes through the frame.
- B. STANDARD CONE: Allows the user to set rotational mandrel drag.
- C. LOCKING CONE: Does not allow for ring rotation.
- D. EXPANDING MANDREL SET: Two sets of 10 different sizes are available from 13.5 mm to 22.5 mm
- E. ID RING HOLDER BODY: Rugged all steel design dampens vibration.
- F. DRAWBAR KNOB: Pulls the Drawbar into the cones which expands the mandrels into the inner diameter of the ring. Hint: do not over-tighten the ring as there is a possibility that you could damage the ring.
- G. SOCKET HEAD CAP SCREWS: These act as a stop to allow fixture to mount in a vise. Also valuable for tilting the fixture up and down as needed. Screws can be removed if additional vise depth is desired.
- H. LONG HEX NUT AND WRENCH: If additional clearance is needed around the fixture ring, the Drawbar Knob can be removed and the Long Hex Nut can be substituted. The wrench is included for this purpose and may also be used on the backside of the Drawbar Knob.





## PARTS FOR ID RING HOLDER • #004-735

PART NO.	QTY.	DESCRIPTION
004-705	2	SET OF 10 MOLDED ID MANDRELS
022-057	2	SHCS, #8-32 x 0.25" BLK
024-159	2	1/4-28 x 7/8" LG Z/P COUPLER NUT 3/8" HEX
044-236	1	STANDARD OUTBOARD CONE
044-237	1	DRAWBAR FOR NEW STYLE ID RING HOLDER
044-238	1	FRAME MOUNTED MANDREL EXPANSION CONE
044-239	1	ID RING HOLDER FRAME
044-240	1	DRAW BAR KNOB FOR ID RING HOLDER
044-241	1	LOCKING OUTBOARD CONE
044-242	1	3/8" HEX WRENCH FOR ID RING HOLDER

**GLENDOLLC**

900 Overlander Road • Emporia, KS 66801 USA  
 800-835-3519 • 620-343-1084 • Fax: 620-343-9640  
 grs@grstools.com • www.grstools.com  
 Last Updated: 2017-06-22