



Cal. VX10A

11.8×15.15 mm
H 2.19 mm

Items	Rev.	Page
Specifications	03	1
Appearance	06	2
Casing	05	3
Hand fitting	06	4
Hand setting stem	04	5
Dial	03	6
Casing ring	02	7

Date: 20/Jan/'09

S.EPSON Products

MOVEMENT SPECIFICATIONS

CAL. VX10A

Analog Quartz 5 1/2" Slim Movement / Two Hands(H/M)

1. MOVEMENT DIMENSIONS

*Outside diameter	15.55mm(12-6H) × 13.00mm(3-9H)
*Casing diameter	15.15mm(12-6H) × 11.80mm(3-9H)
*Total height	2.19mm (including battery)

2. TIME STANDARD

*Type of quartz oscillator	Tuning fork
*Frequency of quartz oscillator	32,768 Hz
*Accuracy	±20 seconds per month (on wrist)
*Operating temperature range	-5°C to +50°C
*Regulation device	Nil (Pre-adjusted)

3. INDICATOR / FUNCTIONS

*2 Hands	Hour / Minute
*Setting mechanism	Crown at normal position : Free Crown pulled out 1st click : Time setting / Reset

4. FEATURES

*Jewels	0 Jewel
*Anti-magnetism	Over 1600A/m (Direct current magnetic field)
*Maximum unbalance of hands	Minute hand : 15 mg·mm Hour hand : 13 mg·mm

5. BATTERY

*Type / Size	Silver oxide battery / ϕ 5.8mm × t 1.65mm
*Recommended battery	SR516SW (Maxell, Panasonic, Sony, Seizaiken)
*Nominal voltage	1.55 V
*Battery life	Approx. 3 years
*Driving current consumption	Approx. 0.25 μ A
*Operation stopping voltage	1.0 V

6. SEPARATED PARTS (Parts code)

*Hour wheel	0271818(TypeS) or 0271634(TypeL)
*Dial washer	0491735
*Hand setting stem	0351819 or 0351818
*Battery	SR516SW

7. TEST OF ACCURACY

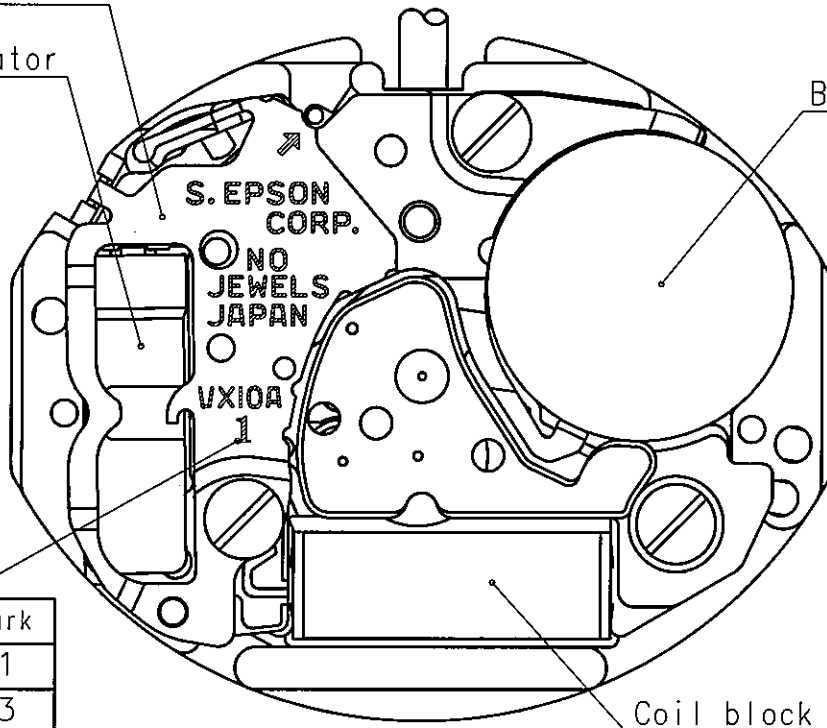
*Equipment to be used	SEIKO quartz tester QT-99, Greiner quartz timer-C , Witschi Q-tester 4000
*Duration of measurement	10 seconds
*Microphone to be used	Electromagnetic detection type

All specifications are subject to change without notice.

Circuit block cover

Crystal oscillator

Battery



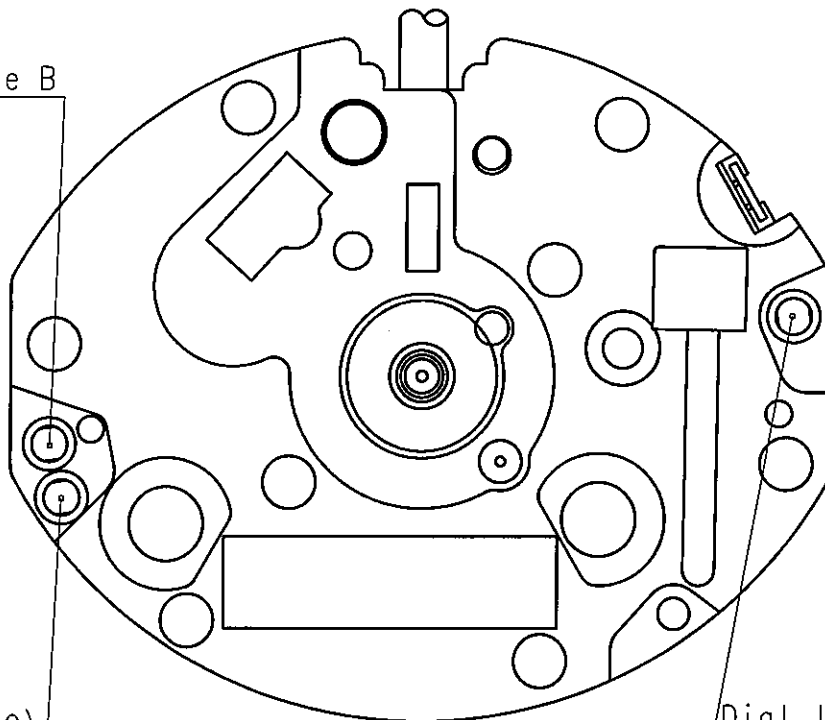
Hands type

	Mark
Type S (1)	1
Type L (3)	3

Coil block

※

Dial leg hole B

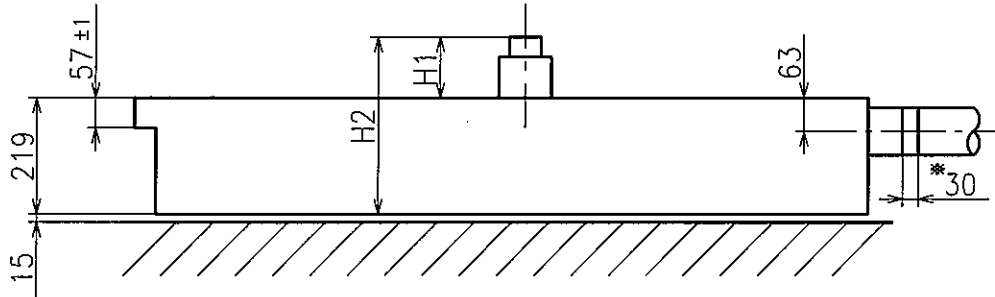


※

(Dial leg hole C)

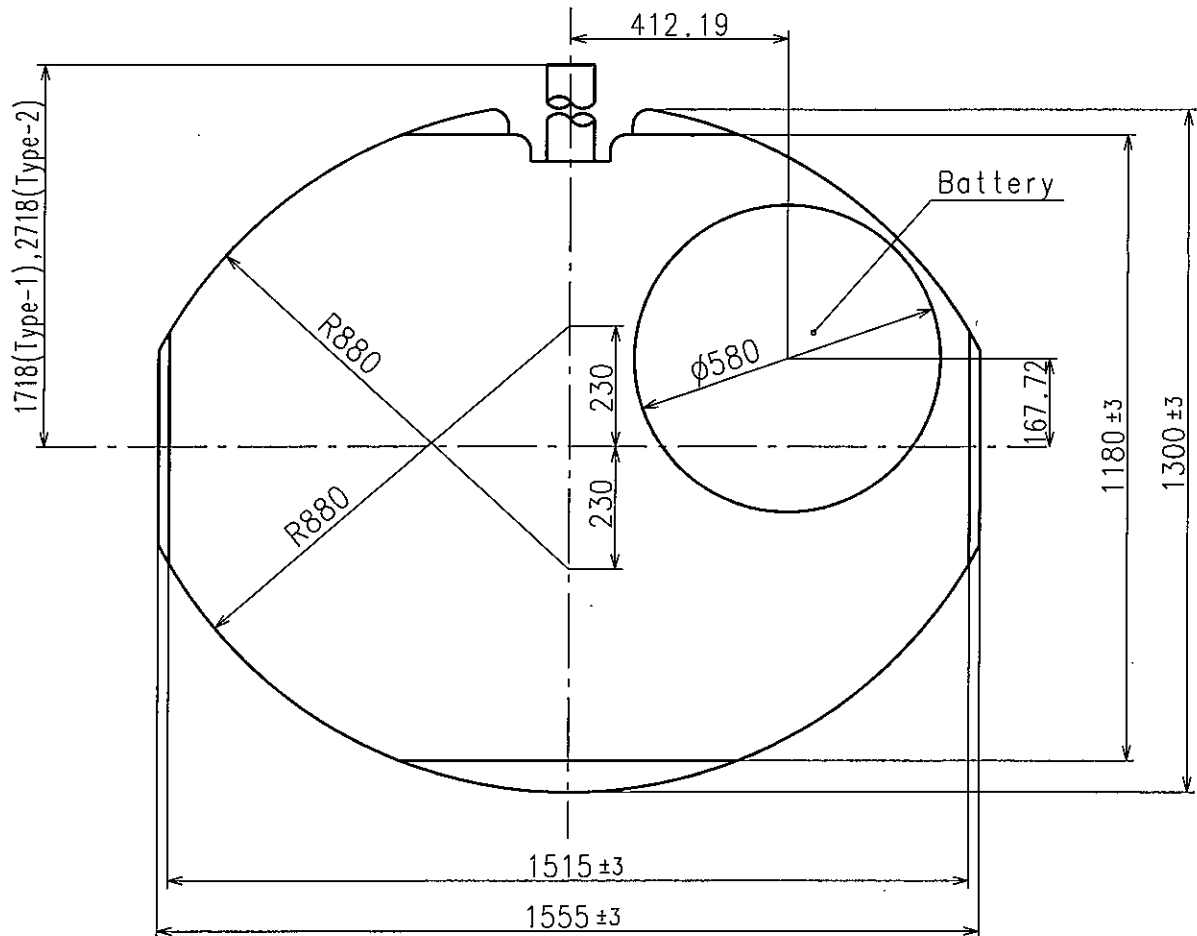
Dial leg hole A

※ : Combination of dial leg hole A-B, (A-C)



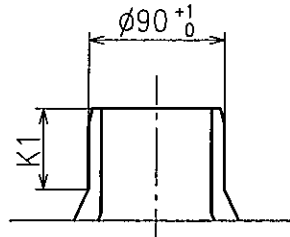
*: Pullout stroke

Center post		Type S (1) VX10A1	Type L (3) VX10A2
Maximum height from dial support	H1	112	160
Total height incl. movement	H2	331	379

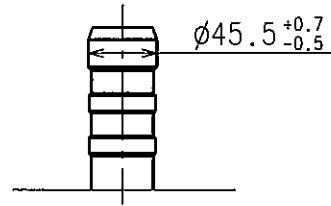


※ Hour hand unbalance $\leq 13\mu\text{g} \cdot \text{m} (0.13\mu\text{N} \cdot \text{m})$

※ Minute hand unbalance $\leq 15\mu\text{g} \cdot \text{m} (0.15\mu\text{N} \cdot \text{m})$

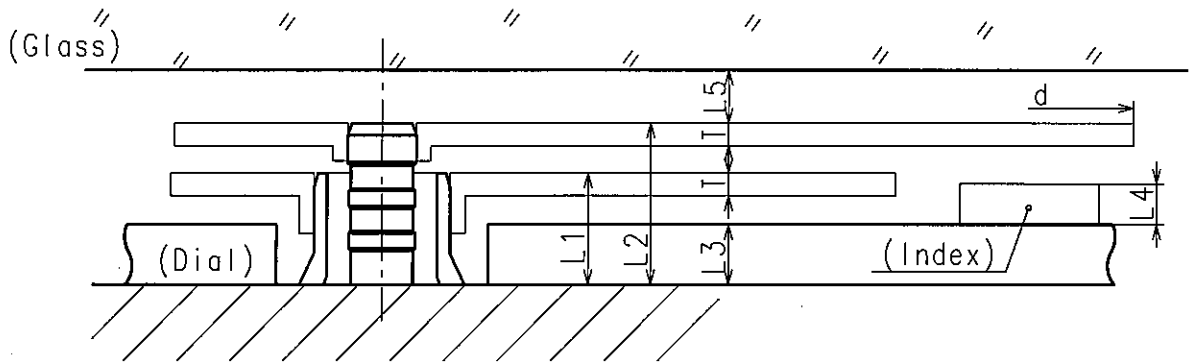


Hour wheel

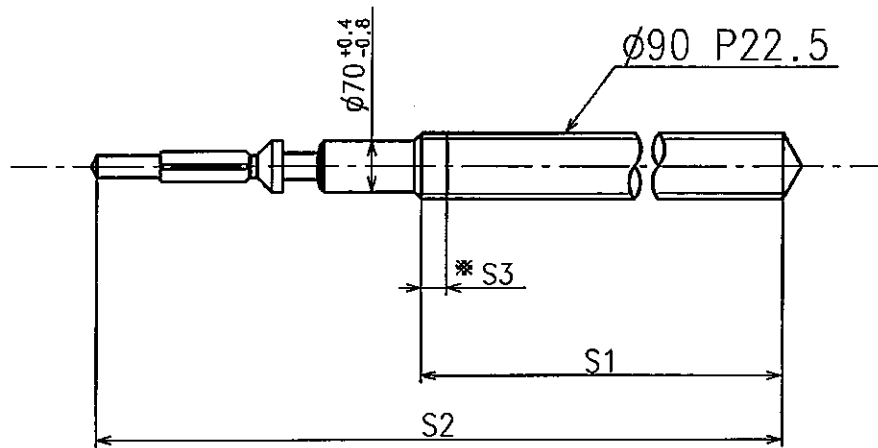


Center wheel

	Parts No.		Dimension
	Hour wheel	Center wheel	K1
Type S (1) VX10A1	0271818	0221814	53
Type L (3) VX10A2	0271634	0221597	49



	L1	L2	L3	L4	L5	T	d
Type S (1) VX10A1	74	112	40	22	MIN: 35	15	MAX: $\phi 1500$
Type L (3) VX10A2	122	160	90	22	MIN: 35	15	MAX: $\phi 1500$

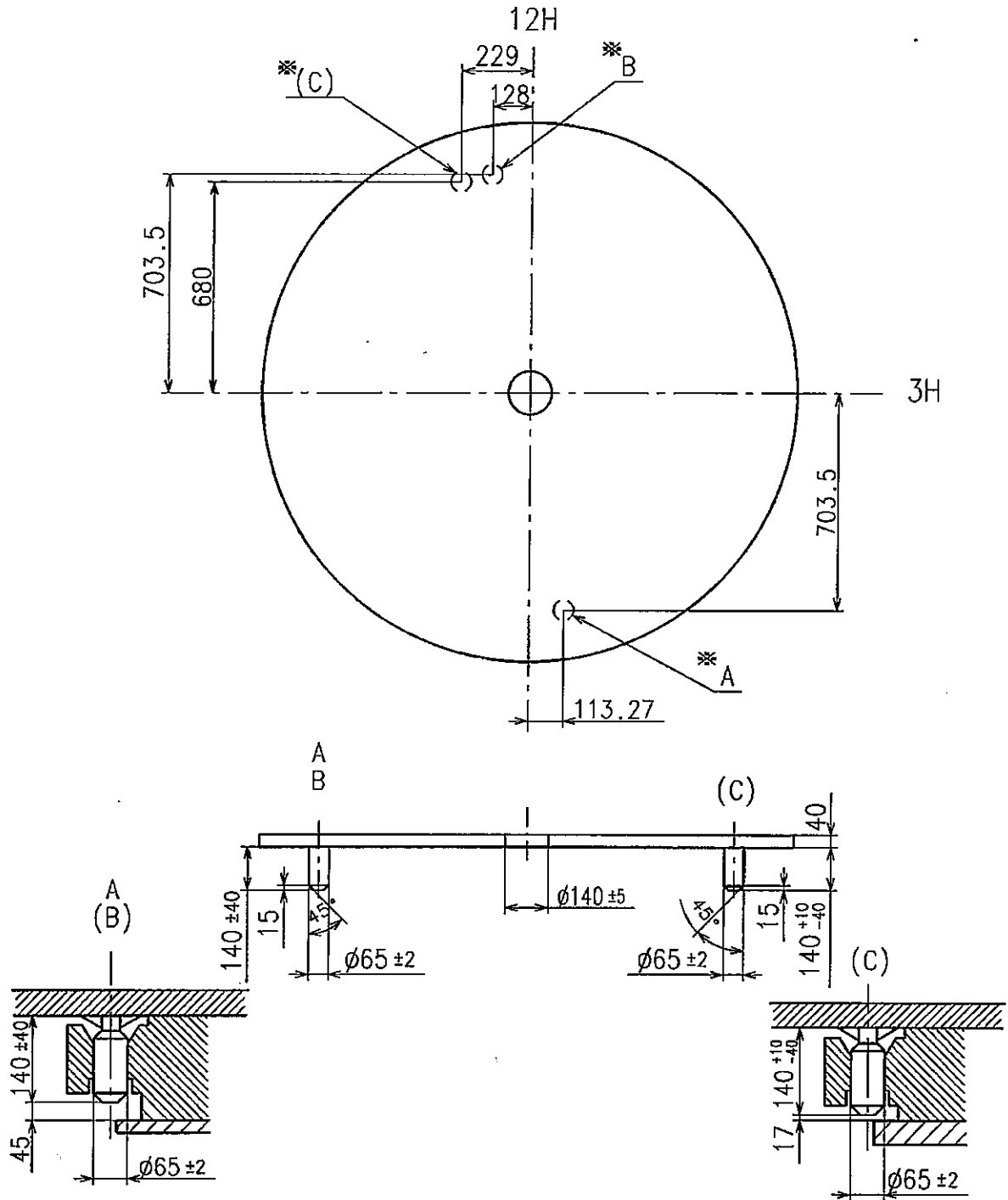


※ Not threaded

	Part No.	S1	S2	S3
Type-1 (Standard)	0351819	1133	1577.3	35
Type-2	0351818	2133	2577.3	1035

Material : Steel

Hardness : Vickers 600±50



* :Combination of dial leg hole A-B(Main hole),A-C(Sub hole)

配号	X 座標	Y 座標
T1	-315.75	-543.00
T2	0	230.00
T3	-710.50	-208.65
T4	-732.50	-170.84

