

Cal. PC10A

ϕ 15.55 mm
[12H --- 6H]

H 3.15 mm

Item	Version No.
Specification	Version 1
Appearance	Version 8
Casing	Version 5
Hand Fitting	Version 7
Hand Setting Stem	Version 4
Dial - 1	Version 4
Casing Ring	Version 4
Assembly Plan	Version 4
Hands	Version 4



MOVEMENT SPECIFICATIONS

CAL.PC10A 5 1/2 Ligne Quartz Movement Two Hands

1. MOVEMENT DIMENSIONS

- Outside diameter φ 15.55 (12H-6H) x 13.00mm (3H-9H)
- Casing diameter φ 15.15 (12H-6H)
- Total height 3.15 mm (including the battery)

2. TIME STANDARD

- Type of quartz oscillator Tuning fork
- Frequency of quartz oscillator 32,768 H Z
- Accuracy Monthly rate: Less than 30 seconds per month at normal temperature range
- Regulation device Nil
- Regulation hands unbalance Minute : Less than 0.30μN-m (30mg-mm)
Hour : Less than 0.30μN-m (30mg-mm)

3. BATTERY

- Type Silver oxide battery
- Size φ 5.8 x t 2.7 (mm)
- Battery life Approx. 2 years
- Recommended battery SR527SW (SEIZAIKEN)

4. STEPPING MOTOR

- Type Two pole stepping motor
- Step 180° every second

5. JEWEL

0 jewel

6. ANTIMAGNETISM

(direct current magnetic field)

≥ 1600 A / m

7. SHOCK RESISTANCE

On equal level with general quartz movement

8. OPERATING TEMPERATURE RANGE

From - 5°C to + 50°C

9. SETTING MECHANISM

- Crown at normal position Free
- Crown pulled out to 1st click Time setting, second setting and reset switch

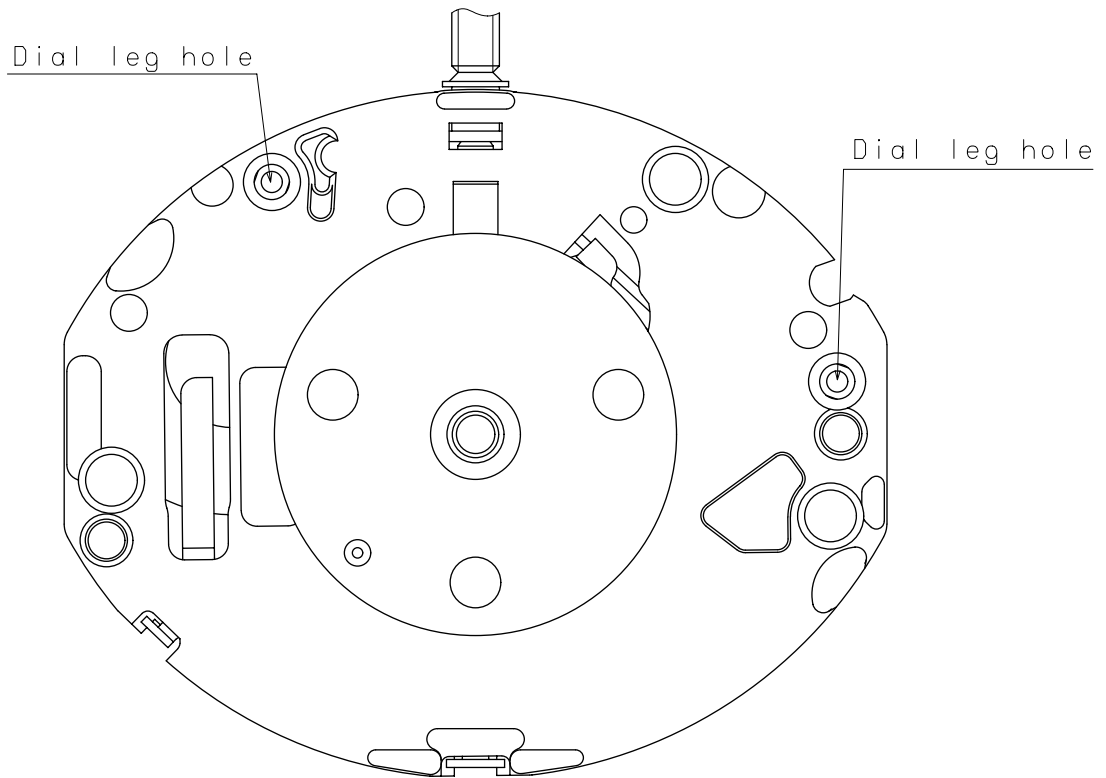
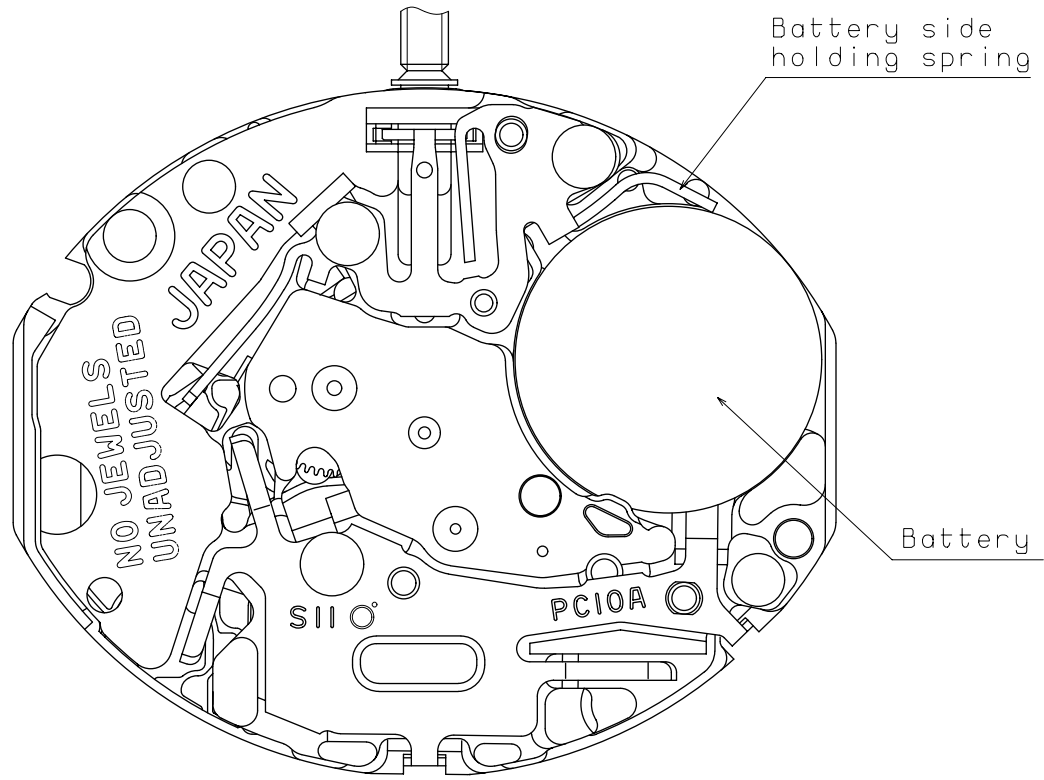
10. TEST OF ACCURACY

- Equipment to be used Quartz Tester QT - 99
Greiner Quartz Timer - C
Witschi Q-Tester 4000
- Duration of measurement 10 seconds
- Microphone to be used Electromagnetic detection type (DM-1)

11. ATTACHED PARTS

Parts Name	Parts Code
Silver oxide battery	3016 - 1510
Hand setting stem	0354 - 1300

*** All specifications are subject to change without notice.**

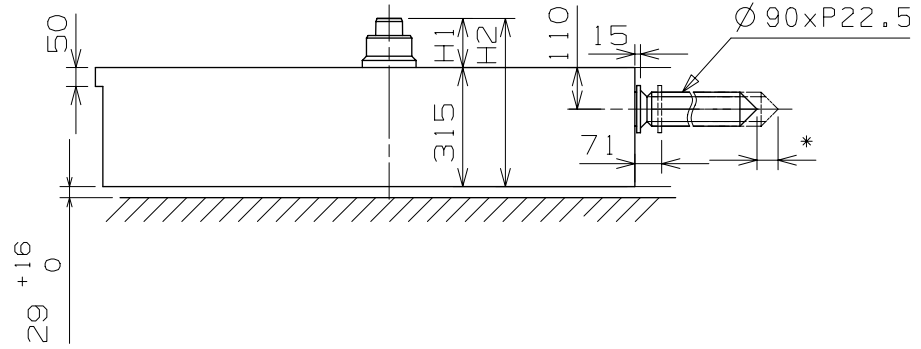


Scale : 7/1
Unit : 1=1/100mm

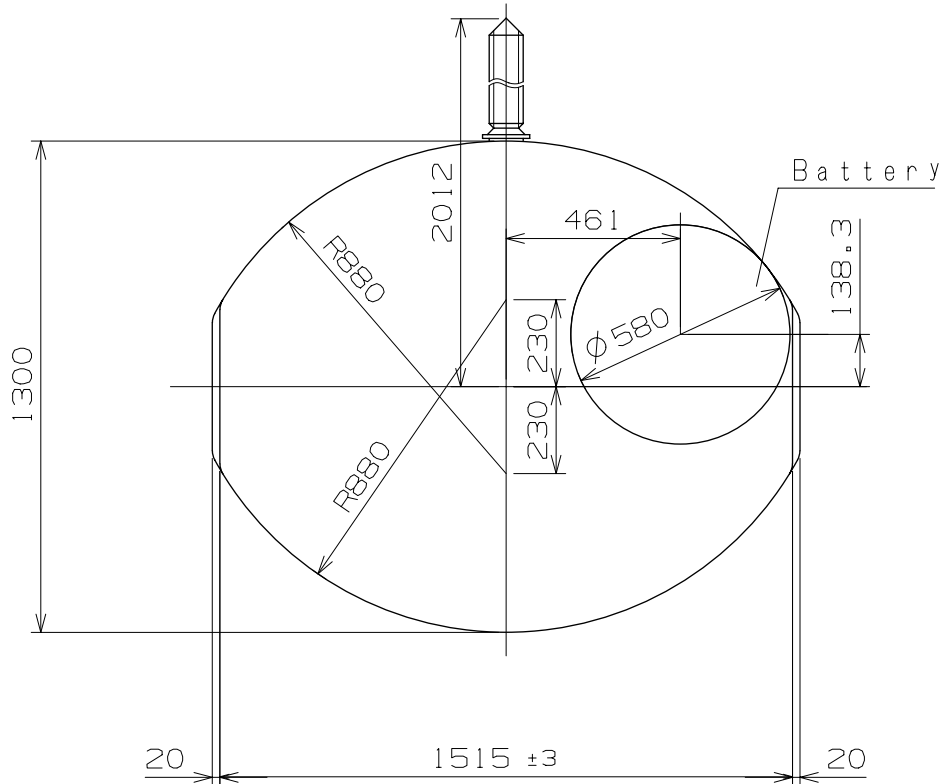
Version:8

Battery Side holding spring Type.

*Pull out stroke : 56



Center Post		TYPE M
Maximum height from main plate surface	H1	130
Total height incl. movement	H2	445

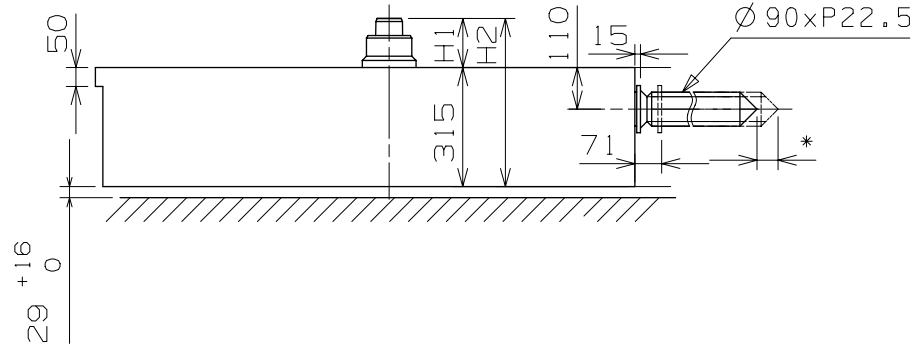


Scale : 5/1
Unit : 1=1/100mm

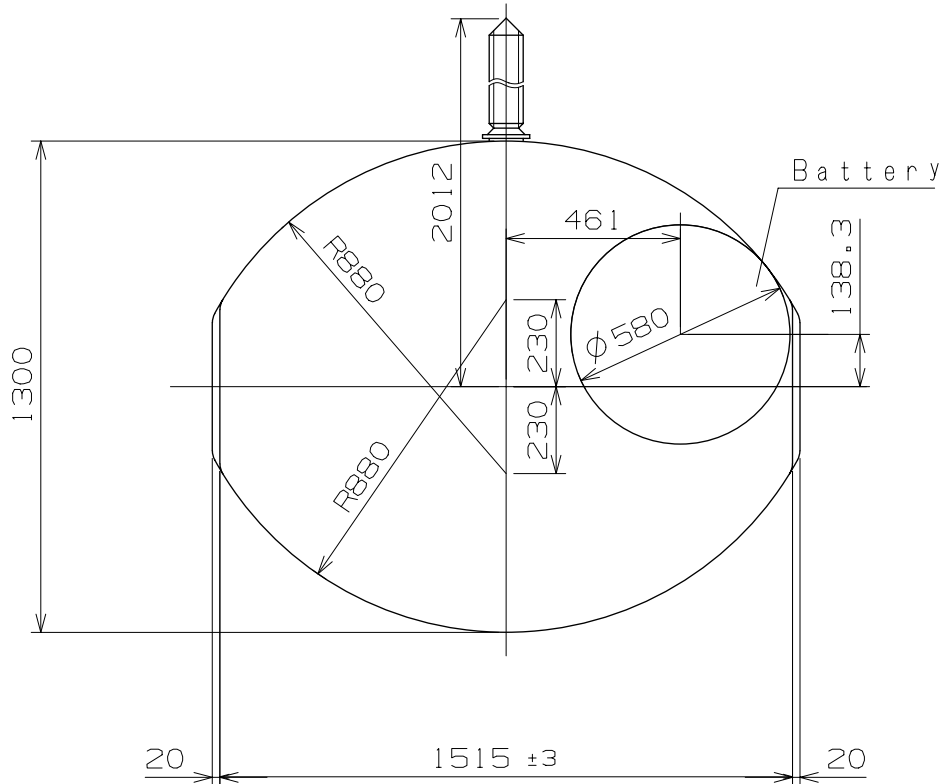
Version:5

Battery Side holding spring Type.

*Pull out stroke : 56



Center post 中心柱位		TYPE M 一般針高
Maximum height from main plate surface. 與機芯平面之最大高度	H1	130
Total height incl. movement. 機芯總高度	H2	445

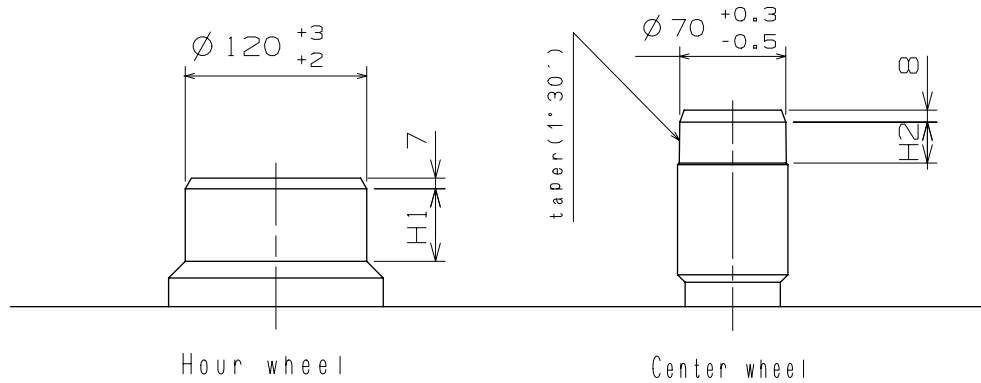


Scale : 5/1
Unit : 1=1/100mm

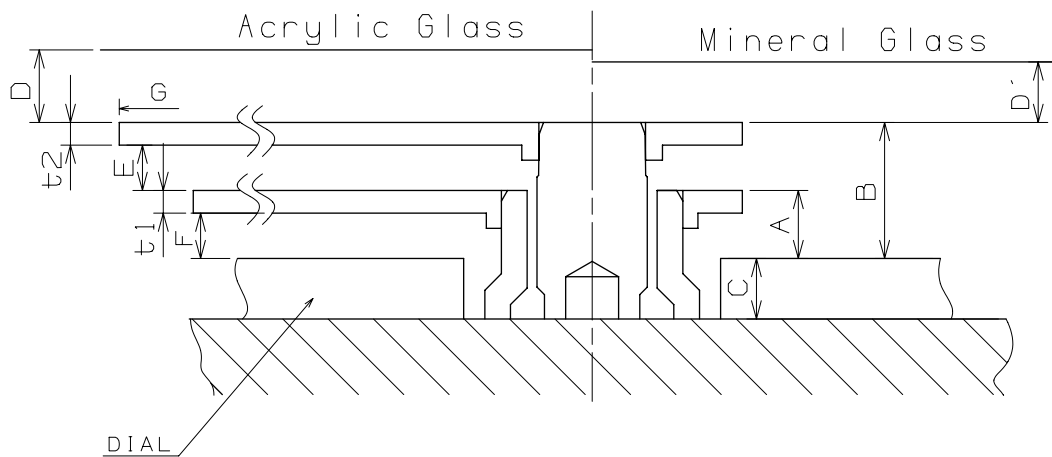
Version:5

Hour hand unbalance $\leq 0.3\mu\text{N}\cdot\text{m}$ (30mg·mm)

Minute hand unbalance $\leq 0.3\mu\text{N}\cdot\text{m}$ (30mg·mm)



	Part. No.		Dimension	
	Hour wheel	Center wheel	H1	H2
TYPE M	0271 3940	0221 0430	48	27



	A	B	C	D	D'	E	F	t1	t2
TYPE M	45	90	40	*	*	30	30	15	15

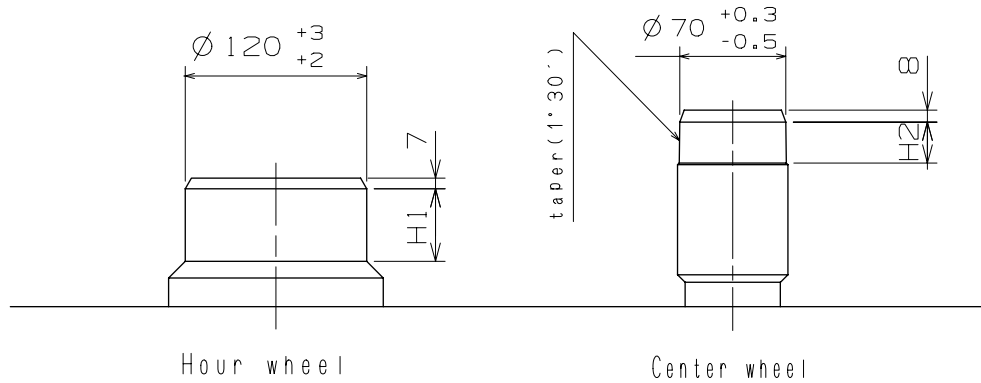
*	G		
		Max 800	800~850
D'	Min 40	Min 45	Min 65
D	Min 48	Min 53	Min 73

Scale : 25/1
Unit : 1=1/100mm

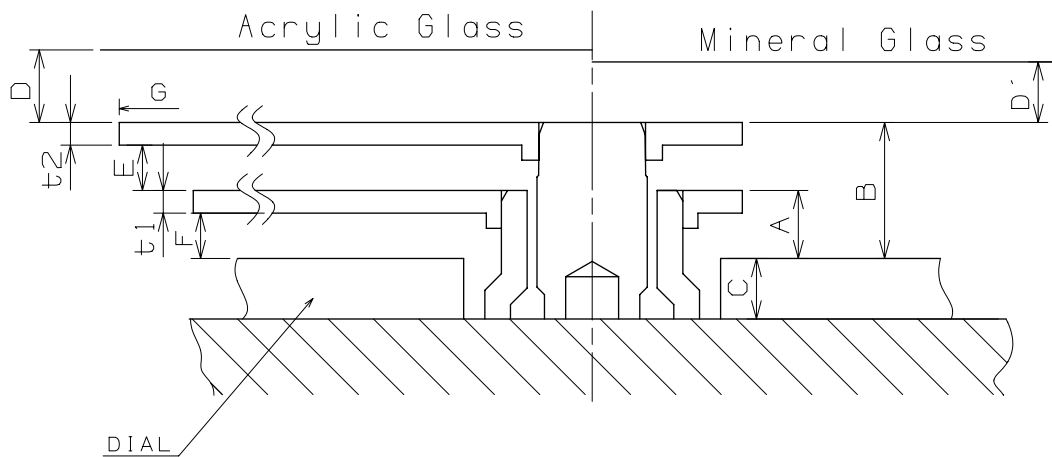
Version:7

Hour hand unbalance $\leq 0.3\mu\text{N}\cdot\text{m}(30\text{mg}\cdot\text{mm})$

Minute hand unbalance $\leq 0.3\mu\text{N}\cdot\text{m}(30\text{mg}\cdot\text{mm})$



	Part. No.		Dimension	
	Hour wheel 時針輪	Center wheel 分針輪	H1	H2
TYPE M 一般針高	0271 3940	0221 0430	48	27

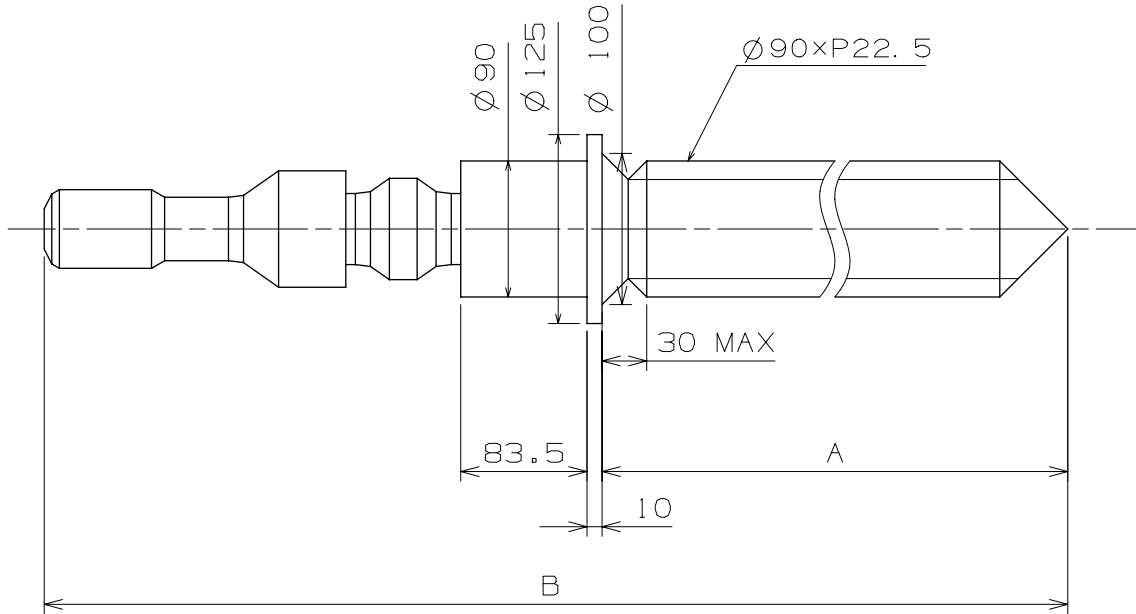


	A	B	C	D	D'	E	F	t1	t2
TYPE M 一般針高	45	90	40	*	*	30	30	15	15

*	G		
		Max 800	800~850
D'	Min 40	Min 45	Min 65
D	Min 48	Min 53	Min 73

Scale : 25/1
Unit : 1=1/100mm

Version:7

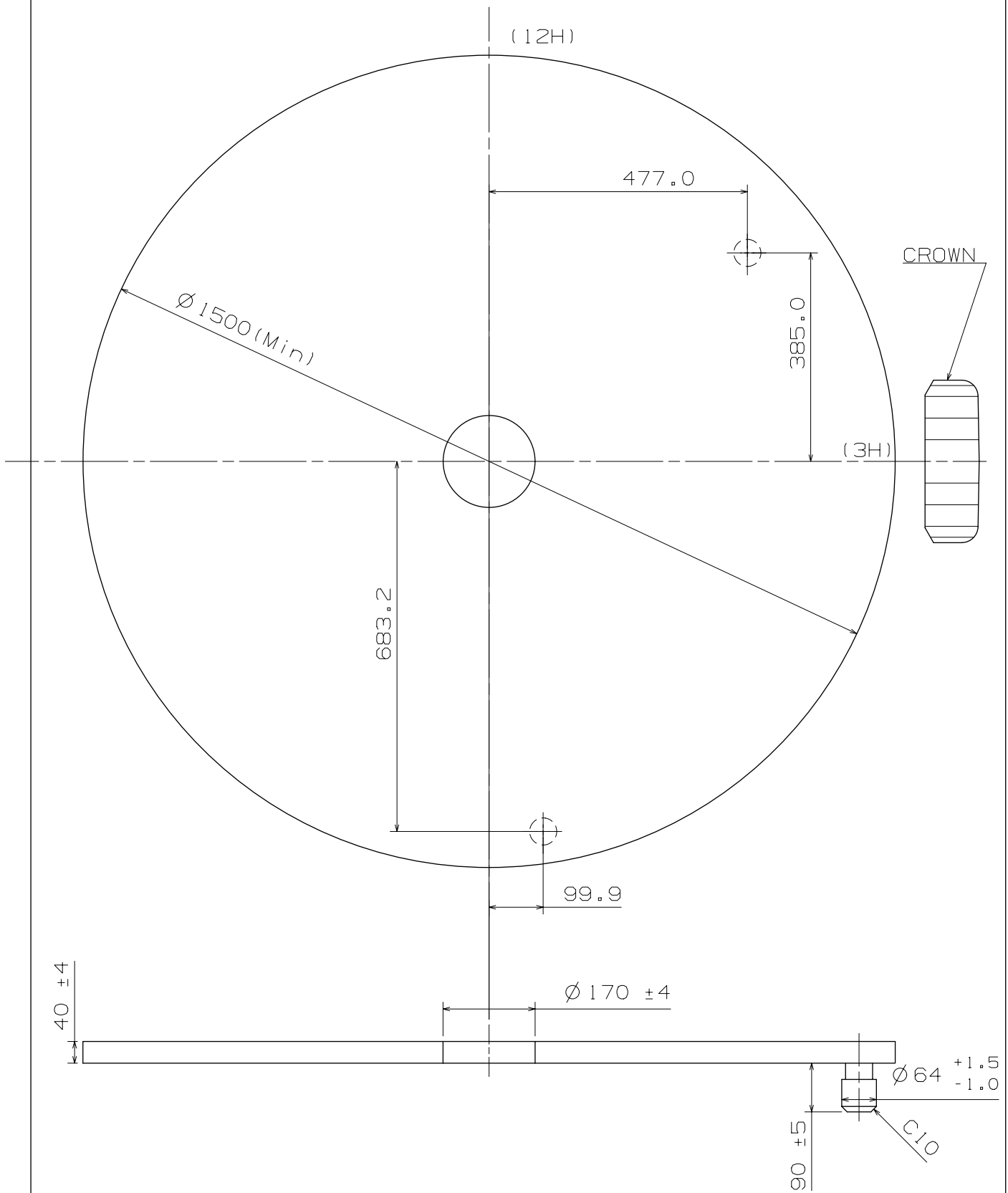


	Part. No.	A	B
TYPE A	0354 1300	1345	1714

Do not lubricate the hand setting stem.

Scale : 20/1
Unit : 1=1/100mm

Version:4

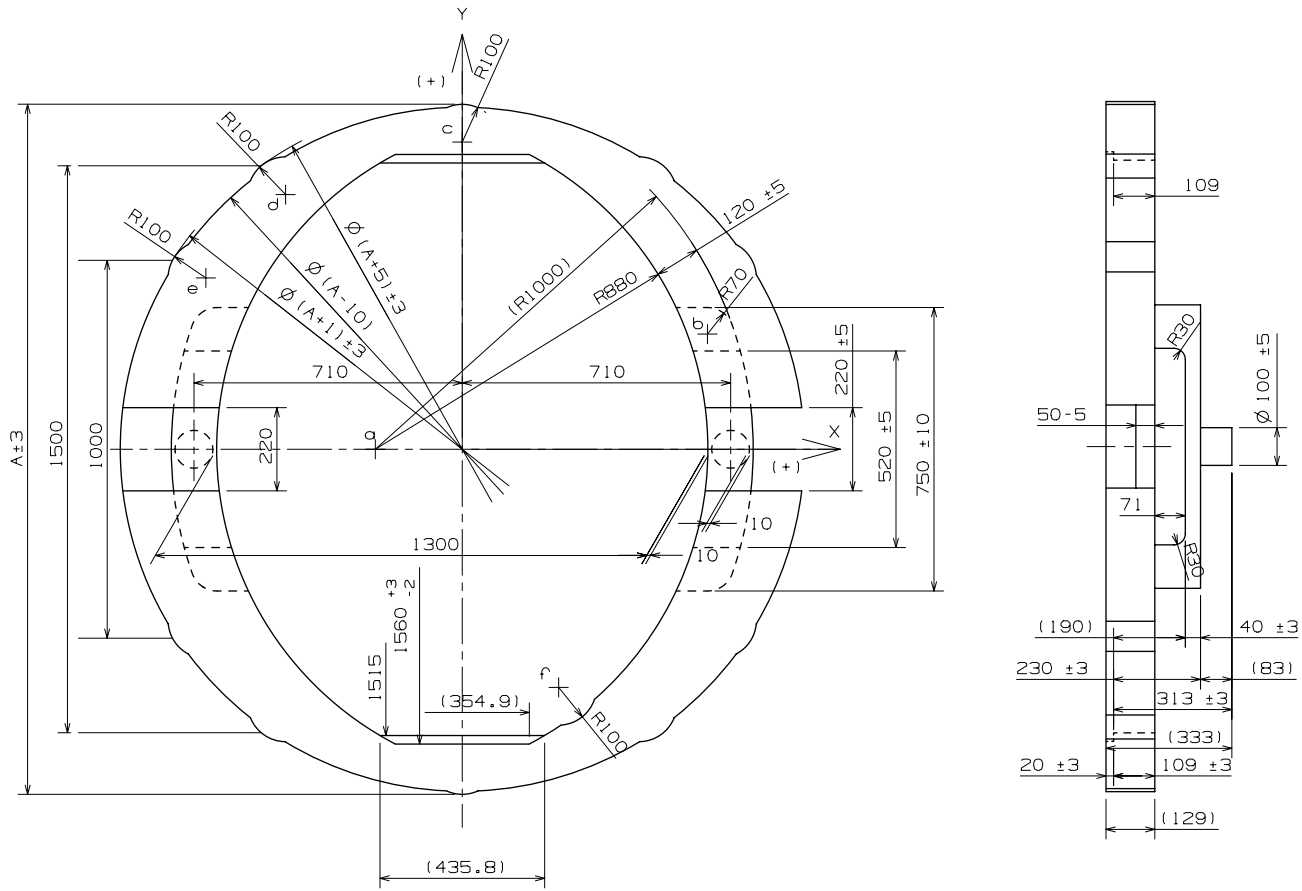


Scale : 10/1
Unit : 1=1/100mm

Version:4

Casing Ring

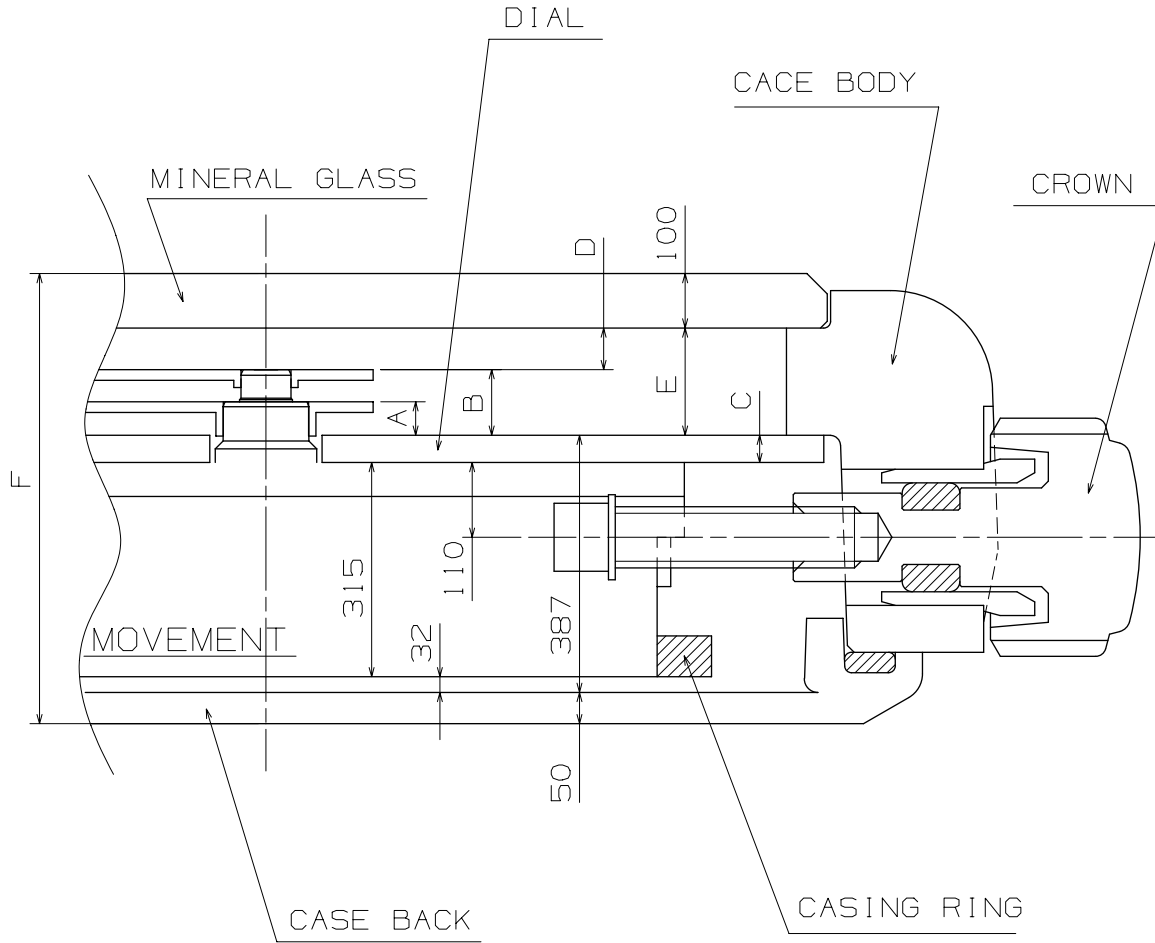
Cal. PC10A



	X	Y
a	±230.0	0
b	±648.6	±305.0
c	+255.0	-630.0

Scale : 5/1
Unit : 1=1/100

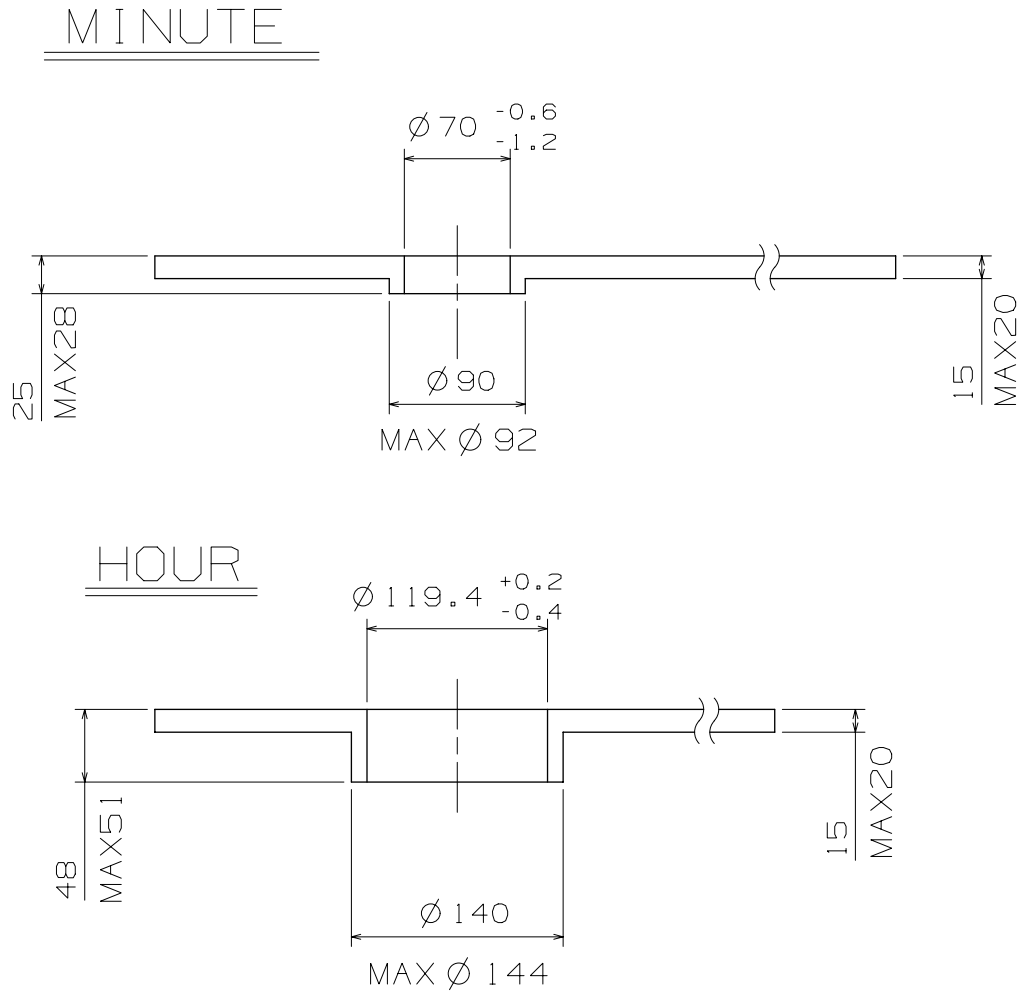
Version:4



	A	B	C	D	E	F
TYPE M	45	90	40	40	130	667

Scale : \neq
Unit : 1=1/100mm

Version:4



Scale : 20/1
Unit : 1=1/100mm

Version:4